

Y15SDM

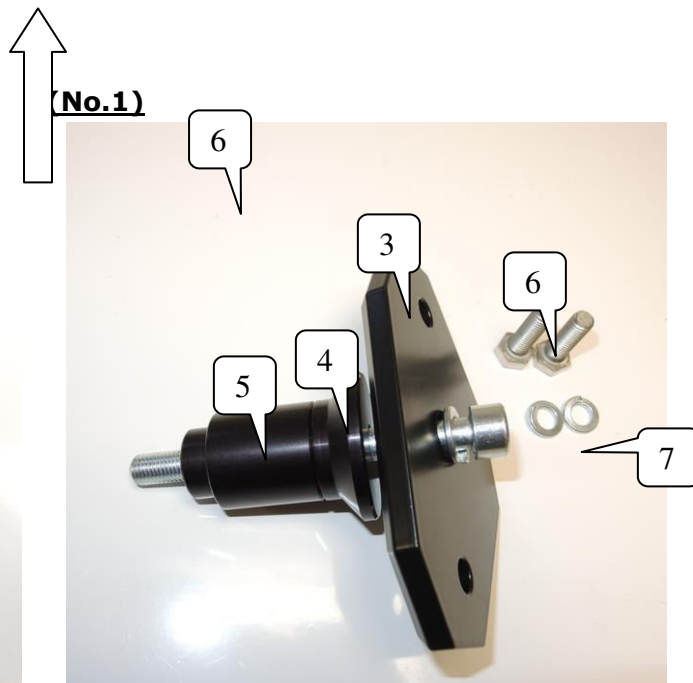
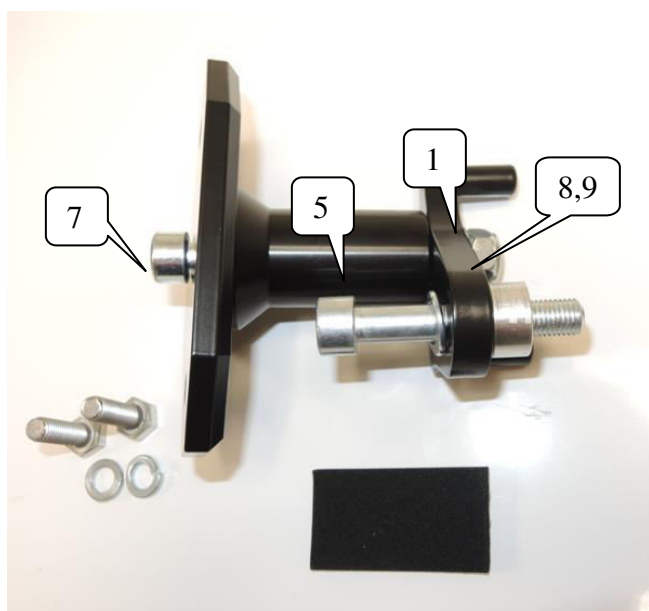
Yamaha R6 2006-

Fitting kit left side:

ID	Description	Cat.N	Qt.
1	Steel adapter	579	1
2	Alu. spacer d=10mm	108	1
3	Bolt M10x60x1,25	896	1
4	Washer spring M10	801	1
5	Alu. spacer d=60mm	14	1
6	Alu. bracket for SLDM	537/B	1
7	Bolt M10x90	880	1
8	Washer M10	804	1
9	Lock Nut M10	810	1
10	Bolt M6x20	1024	2
11	Washer M6	1023	2
12	Plastic cover	X4	1
13	3M Tape	3M	1

Fitting kit right side:

ID	Description	Cat.N	Qt.
1	Bolt M10x105x1,25	893	1
2	Washer M10 spring	801	1
3	Alu. bracket for SLDM	537/B	1
4	Alu. cone adapter	9	1
5	Alu. spacer d=40mm	19	1
6	Bolt M6x20	1024	2
7	Washer M6	1023	2



(No.2)

Fitting kit left side:

1. Dismantle original bolt M10 from frame.
2. Assembly mounting kit for SLD as shown on the picture (no.1).
3. Stick 3M tape on the frame, where is steel adapter touching with chassis.
4. Place alu. spacer ID.2 and tighten fitting kit on the frame.
5. Place slide and tighten it by bolts ID.10 and washers ID.11.

Fitting kit right side:

1. Dismantle original bolt M10 from frame.
2. Assembly mounting kit for SLD as shown on the picture (no.2).
3. Don't forget place washer ID.7 under the bolt ID.1.
4. Mounting this kit on the chassis.
5. Place slide and tighten it by bolts ID.6 and washers ID.7.

We recommend use glue of bolts during assembly. Medium strong.

